



SUPERTHERM ST.77
EXCLUSIVE ALUMINUM ENTRANCE DOORS





SUPERTHERM ST.77

“ The new THIRAL SUPERTHERM **ST.77** system in combination with panel exclusive series constitute a top selection for the main entrance to the house. **ST.77** offers outstanding design with all the essential characteristics required for the perfect door. ”

► DESIGN

The linear and at the same time modern design of panel exclusive with the decorative inox at the same level as the panels as well as the plain lines produce an excellent result lending prestige to the total image of the house. There is a wide variety of accessories, such as opening by Keyboard, Bluetooth and Fingerprint.



► THERMAL INSULATION

The energy factor of the entrance constitutes a fundamental criterion for its selection and **ST.77** reduces the index to just $U_d=0,91 \text{ W}/(\text{m}^2\text{K})$ accredited by Rosenheim Institute. The polyamide bars, the three chamber levels of the profile, the insulation in the mid-chamber and the quality insulation materials provide for a thermoinsulation "wall".

► SECURITY

The sturdy construction of the door, the multiple-point locks and the rest of the components in combination with the triplex glazing of 4+4 mm together with the reinforced aluminum sheets 3 mm thick inside and out function as a preventative factor against its violation. A steel 2 mm sheet can optionally be used in the interior of the panel for additional security.



► WATERTIGHTNESS

The Three-level **SUPERTHERM ST.77** water tightness system guarantees absolute avoidance of water in the interior. The EPDM rubber bands in the frame, the sheet and the framefoot as well as the EPDM angles produce an excellent watertightness result.

SUPERTHERM ST.77C

With C type THIRAL panel
(soldered inside and out)

Door dimension: 1230 × 2180 mm EN15351-1

Factor
0,91
W/(m²K)



- ▶ Maximum thermal insulation level and high aesthetics

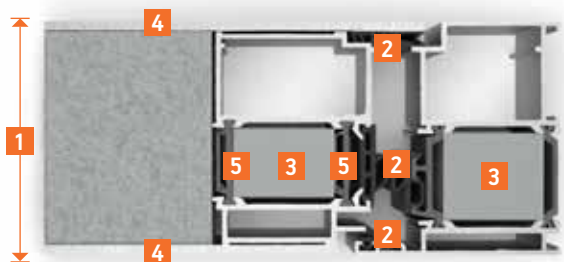
- ▶ Flat surface inside and out

- ▶ Four glass panes for better thermal insulation

- ▶ Triplex glass panes (4+4 mm) inside and out

- ▶ Aluminum sheet: 3 mm outside, 3 mm inside

- ▶ Reinforced profile wall thickness (1.5 – 1.8 mm)



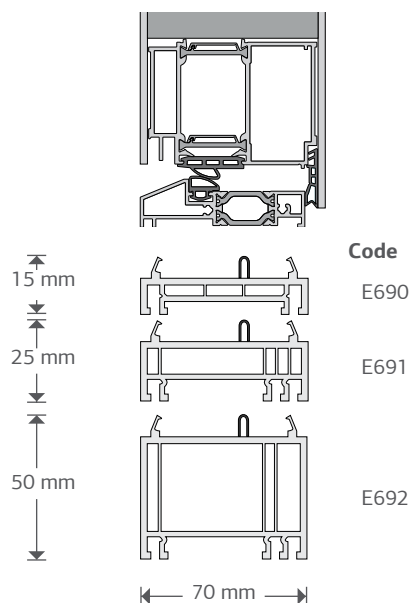
External facet

Internal facet

▶ HORIZONTAL ELEVATION

- 1 Profile depth 77 mm
- 2 Three EPDM tightness rubber bands
- 3 Profile insulation
- 4 Aluminum sheets 3 mm inside and out
- 5 Jointed thermosuspension on the sheet profile which minimizes possible malfunction resulting from profile expansion and contraction due to the high temperature differential

▶ FLOOR INSULATION PROFILE



▶ VERTICAL ELEVATION

- 1 Plated framefoot with foam insulation
- 2 Two tightness rubber bands on the framefoot
- 3 Framefoot height 20 mm

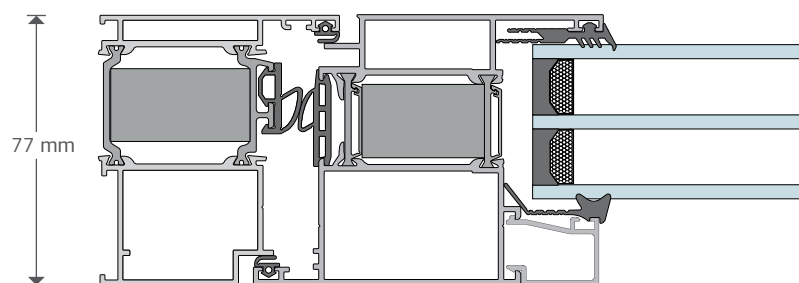
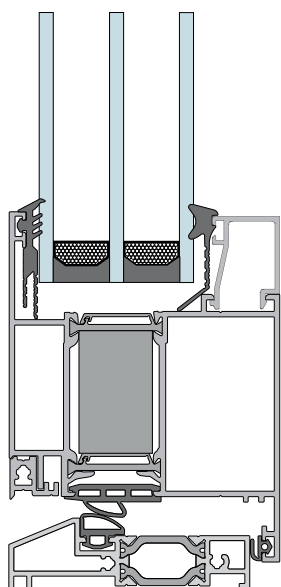




SUPERTHERM ST.77A

SUPERTHERM door with glass pane

SUPERTHERM ST.77A A series has the same characteristics as SUPERTHERM ST.77C series and the same components are used.



SUPERTHERM ST.77

Thiral, orientated to the increased energy requirements of the times, created **SUPERTHERM ST.77**. Its basic characteristic is the high energy efficiency it provides in combination with Panel Exclusive. **SUPERTHERM ST.77** provides a wide variety of accessories such as handles, hinges, locks, colours and glasspanes while it also provides alternative door-opening ways as by Fingerprint, Bluetooth or Keyboard.

- ▶ Standard edition door dimensions up to: Height 2300 mm, Width 1085 mm (exceeding one of these dimensions entails extra charge depending on the dimension)
- ▶ Maximum door sheet construction dimensions: Height 2350 mm, Width 1400 mm
- ▶ Maximum allowed weight per sheet 220 kg
- ▶ Font lines and decorative inox only on the external side of the door
- ▶ The internal side is flat with glass pane opening, where one is provided. Possibility for design on the internal side. (extra charge depending on the design)

STANDARD EQUIPMENT

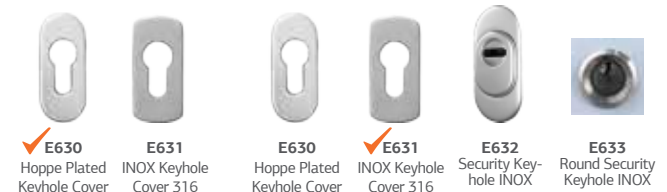
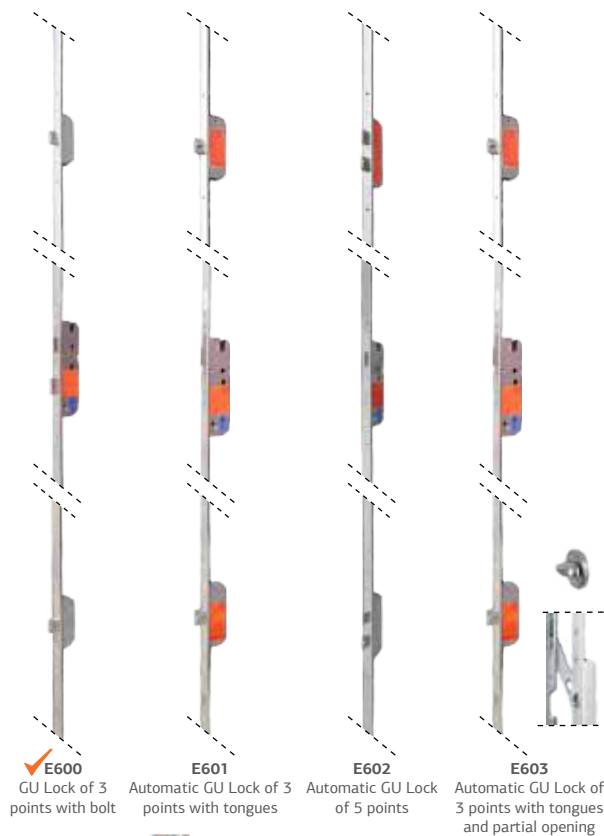
✓ Included in the door standard equipment



1 Lock Cylinders / Rollers

3 Handles Inside

9 Handles Outside

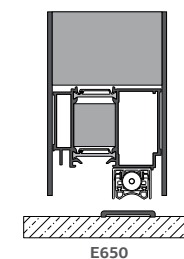


4 Keyhole Cover Inside

5 Keyhole Cover Outside



6 Hinges



2 Locks

All locks are Security Level **WK 3** checked

7 Windbreak

8 Electrical Lock

Security Valve

OPTIONAL EQUIPMENT



E660
Fingerprint Opening



E661
Bluetooth Opening



E662
Keyboard Opening

GU Return Mechanism



E670
Return Mechanism with arm



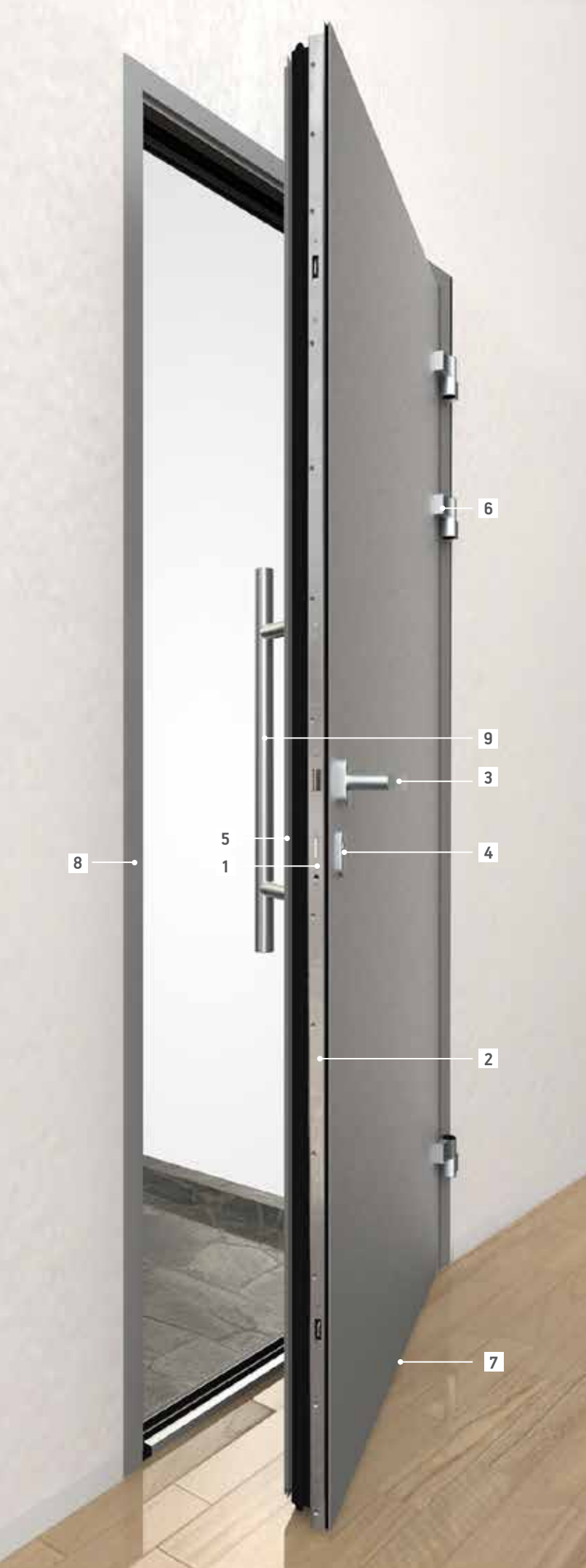
E671
Return Mechanism with linear guide

GU Return Mechanism



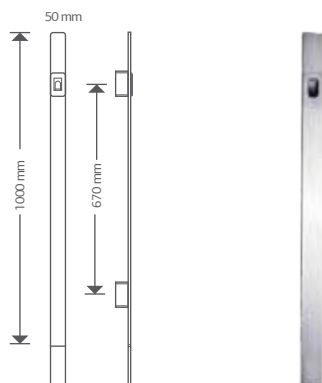
E680

Battery Operated Camera





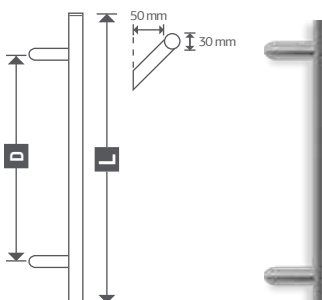
Handles SUPERTHERM ST.77



INOX HANDLE BY FINGERPRINT

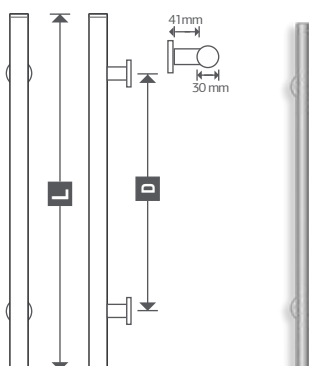


Code E409
Length 100 cm



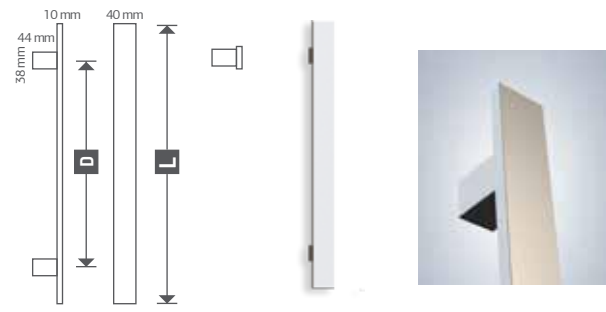
THIRAL OBLIQUE INOX HANDLES 316

Handle Dimensions								
	E380	E381	E382	E383	E384	E385	E386	E387
D (cm)	30	40	60	80	100	120	140	160
L (cm)	50	60	80	100	120	140	160	180



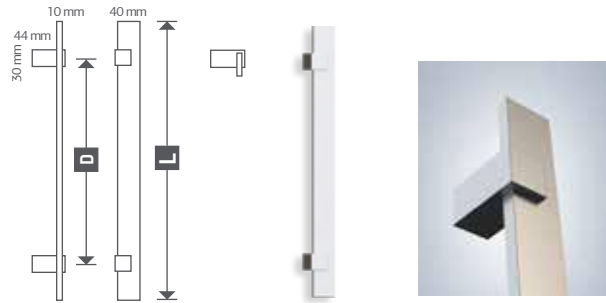
THIRAL INOX HANDLES 316

Handle Dimensions								
	E3020	E3540	E3030	E3550	E3100	E3560	E3570	E3580
D (cm)	30	40	60	80	100	120	140	160
L (cm)	50	60	80	100	120	140	160	180

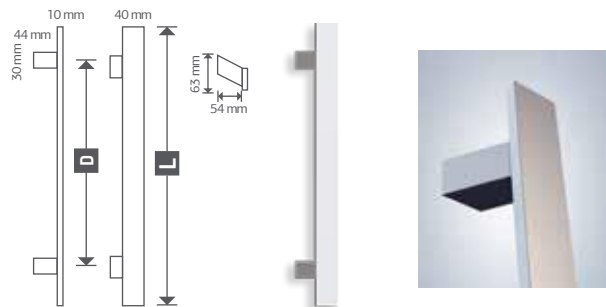


ALUMINUM PLATED HANDLES

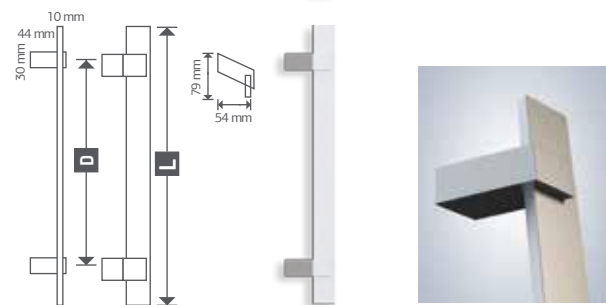
Handle Dimensions			
	E390	E391	E392
D (cm)	30	40	60
L (cm)	50	60	80



Handle Dimensions			
	E395	E396	E397
D (cm)	30	40	60
L (cm)	50	60	80

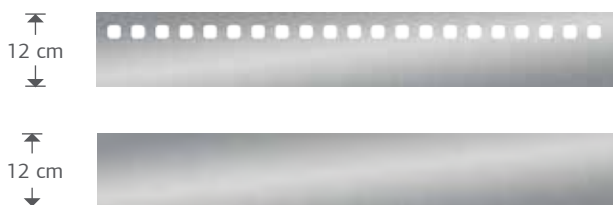


Handle Dimensions			
	E400	E401	E402
D (cm)	30	40	60
L (cm)	50	60	80

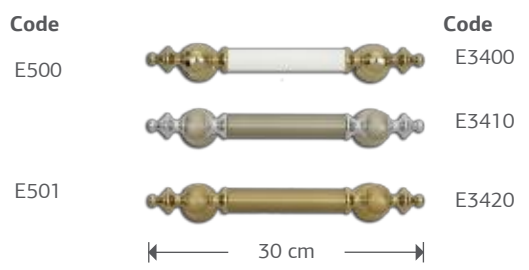


Handle Dimensions			
	E405	E406	E407
D (cm)	30	40	60
L (cm)	50	60	80

INOX FEET PROTECTIVES 316



CLASSIC HANDLES



INOX DOOR NUMBERS 316



Code E550

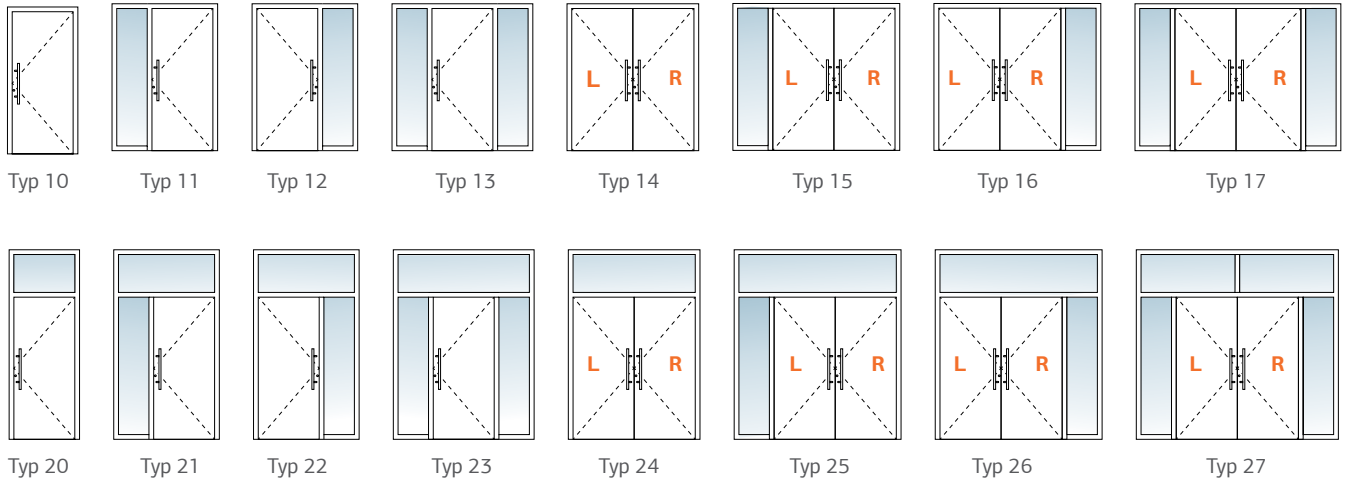


FRAME TYPE

Select the frame type to your preference and fill the code in the corresponding box on the door order form. Regarding two-sheet frames you will be asked to select which sheet will open first.

L Left Door Sheet **R** Right Door Sheet

We look at them from the outside



GLASSPANE TYPE FOR STABLE AND SKYLIGHT

Select the glass pane to your preference when your door has side-stable or skylight and fill the code in the corresponding box on the door order form. Select between double-glazed 6 mm glass panes or triple-glazed 4 mm and 8 mm triplex glass panes. Select whether the glass panes will be transparent (you see the inside of the building) or sandblast glass pane (you cannot see the inside of the building). In all selections the glass panes are energy-efficient for better thermo insulation.

	<p>G1 energy-efficient 6 mm transparent 6 mm total thickness 24 mm (we see the inside)</p>		<p>G2 energy-efficient 6 mm sandblast 6 mm total thickness 24 mm (we do not see the inside)</p>		<p>G3 energy-efficient 4 mm energy-efficient 4 mm transparent 4 mm total thickness 44 mm (we see the inside)</p>								
	<p>G4 energy-efficient 4 mm energy-efficient 4 mm sandblast 4 mm total thickness 44 mm (we do not see the inside)</p>		<p>G5 energy-efficient 4+4 mm (triplex) energy-efficient 4 mm transparent 4 mm total thickness 44 mm (we see the inside)</p>		<p>G6* energy-efficient 4+4 mm (triplex) energy-efficient 4 mm sandblast 4+4 mm (triplex) total thickness 44 mm (we do not see the inside)</p>								
	<p>G8 energy-efficient 4 mm transparent 4 mm total thickness 24 mm (we see the inside)</p>		<p>G9 energy-efficient 4 mm sandblast 4 mm total thickness 24 mm (we do not see the inside)</p>	<table border="1"> <tr> <td></td> <td>transparent</td> </tr> <tr> <td></td> <td>sandblast</td> </tr> <tr> <td></td> <td>transparent energy-efficient</td> </tr> <tr> <td colspan="2">Glass pane types</td> </tr> </table>			transparent		sandblast		transparent energy-efficient	Glass pane types	
	transparent												
	sandblast												
	transparent energy-efficient												
Glass pane types													

* This glass pane type is also used in panels. If the panel has glass pane it is preferable to select the same glass pane type for the stable or skylight to achieve the same glass pane colour shade.



L 100



L 101



L 110



L 110



L 120



L 121



L 123



L 124



L 130



L 140



L 140



L 150



L 160



L 161



L 162



L 165



L 170



L 171



L 180



L 180



L 190



L 200



L 210



L 211



L 212



L 220



L 222



L 224



L 230



L 231



L 240



L 241



L 241



L 250



L 251



L 260



L 261



L 270



L 280



L 290



L 300



L 301



L 301



L 302



L 303



L 310



L 311



L 312



L 313



L 320



L 330



L 331



L 335



L 337



L 340



L 350



L 351



L 360



L 361



L 370



L 371



L 372



L 380



L 381



L 383



L 385



L 390



L 391



L 392



L 393



L 400



L 401



L 401



L 410



L 420



L 421



L 430



L 431



L 432



L 435

